

# STOCK PITS & RISERS FOR STORMWATER & DRAINAGE

Issue Date: 16 February 2024



## Product Description & Applications:

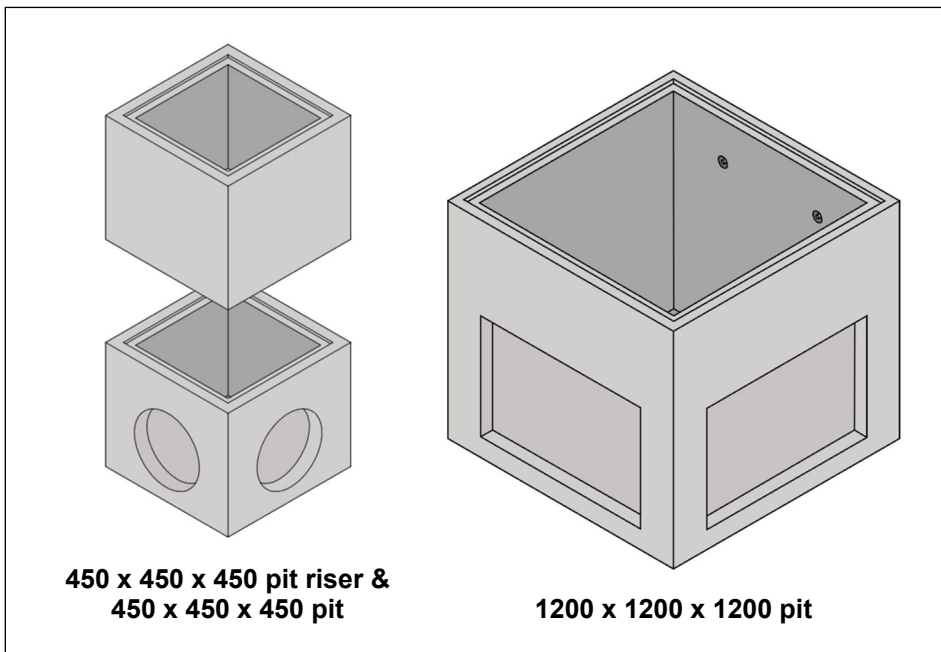
SVC offers an extensive range of stormwater pits and risers in various standard sizes, catering to multiple stormwater drainage applications. Stock pits and risers are engineered and manufactured in compliance with the **AS/NZS 3500.3:2021 Plumbing and Drainage Part 3: Stormwater Drainage**.

All stock pits are formed with knockouts on all four walls, allowing ease of pipe installation on-site. Where required, SVC stock pits and risers include pre-installed step irons for convenience.

**Note:** For drainage applications where specific pit sizes are required, SVC can offer made-to-order pits that are manufactured to exact dimensions and supplied with custom penetrations or knockouts positioned as required.

## Item Availability:

Stocked product – readily available



## Product Specifications

- Material: **Precast concrete**
- Compressive strength: **40 MPa**
- Design life: **50 years**

## Recycled/Waste Content

- Supplementary cementitious material (fly ash) replacing 10-30% of standard cement
- e-Mesh recycled plastic fibres, reducing a significant portion of steel reinforcing

Civil & Infrastructure > Stock Pits & Risers

Code	Internal Dims L x W (mm)	Internal Height (mm)	Nominal Wall Thickness* (mm)	Type	Knockouts	Lifting Points **	No. Step Irons	Total Weight (kg)
18.201	450 x 450	450	100	Base	4 x 300dia	2 x 1.3T SwiftLift	0	305
18.202		600	100	Base	4 x 300dia	2 x 1.3T SwiftLift	0	385
18.203		900	100	Base	4 x 300dia	2 x 1.3T SwiftLift	0	550
18.205		300	100	Riser	none	2 x 1.3T SwiftLift	0	165
18.206		450	100	Riser	none	2 x 1.3T SwiftLift	0	250
18.207		600	100	Riser	none	2 x 1.3T SwiftLift	0	350
18.221	600 x 600	450	100	Base	4 x 400dia	4 x 1.3T SwiftLift	0	355
18.222		600	100	Base	4 x 400dia	4 x 1.3T SwiftLift	0	450
18.223		900	100	Base	4 x 400dia	4 x 1.3T SwiftLift	0	750
18.224		1200	100	Base	2 x 480dia, 2 x 475x625	4 x 1.3T SwiftLift	0	850
18.225		300	100	Riser	none	4 x 1.3T SwiftLift	0	185
18.226		450	100	Riser	none	4 x 1.3T SwiftLift	0	300
18.227		600	100	Riser	none	4 x 1.3T SwiftLift	0	370
18.228		900	100	Riser	none	4 x 1.3T SwiftLift	0	655
18.229		1200	100	Riser	none	4 x 1.3T SwiftLift	0	755
18.242	900 x 600	600	100	Base	4 x 400dia	4 x 1.3T SwiftLift	0	700
18.243		900	100	Base	2 x 700dia, 2 x 475x625	4 x 1.3T SwiftLift	0	870
18.244		1200	100	Base	2 x 700dia, 2 x 475x625	4 x 1.3T SwiftLift	2	1070
18.245		300	100	Riser	none	4 x 1.3T SwiftLift	1	250
18.246		450	100	Riser	none	4 x 1.3T SwiftLift	1	360
18.247		600	100	Riser	none	4 x 1.3T SwiftLift	2	440
18.248		900	100	Riser	none	4 x 1.3T SwiftLift	3	830
18.249	1200	100	Riser	none	4 x 1.3T SwiftLift	4	1300	
18.257	900 x 600 Side Entry	600	100	Base	4 x 400dia	4 x 1.3T SwiftLift	0	650
18.258		900	100	Base	3 x 400dia, 1 x 700dia	4 x 1.3T SwiftLift	0	850
18.259		1200	100	Base	2 x 700dia, 2 x 475x625	4 x 1.3T SwiftLift	2	1000
18.247SE		600	100	Riser	none	4 x 1.3T SwiftLift	2	450
18.248SE		900	100	Riser	none	4 x 1.3T SwiftLift	3	800
18.262	900 x 900	600	100	Base	4 x 400dia	2 x 1.3T SwiftLift	0	900
18.263		900	100	Base	2 x 695dia, 2 x 670x670	2 x 1.3T SwiftLift	0	970
18.264		1200	100	Base	2 x 695dia, 2 x 675x675	2 x 1.3T SwiftLift	2	1340
18.265		300	100	Riser	none	4 x 1.3T SwiftLift	1	290
18.266		450	100	Riser	none	4 x 1.3T SwiftLift	1	460
18.267		600	100	Riser	none	4 x 1.3T SwiftLift	2	630
18.268		900	100	Riser	none	4 x 1.3T SwiftLift	3	955
18.269		1200	100	Riser	none	4 x 1.3T SwiftLift	4	1300
18.281	1200 x 900	900	100	Base	2 x 700dia, 2x 650x1000	4 x 2.5T SwiftLift	0	1370
18.280		1200	100	Base	2 x 700dia, 2 x 650x1000	4 x 2.5T SwiftLift	2	1730
18.285		300	100	Riser	none	4 x 2.5T SwiftLift	1	400
18.286		450	100	Riser	none	4 x 2.5T SwiftLift	1	590
18.287		600	100	Riser	none	4 x 2.5T SwiftLift	2	890
18.288		900	100	Riser	none	4 x 2.5T SwiftLift	3	1170
18.289		1200	100	Riser	none	4 x 2.5T SwiftLift	4	1550
18.291	1200 x 1200	900	100	Base	4 x 650x1000	4 x 2.5T SwiftLift	0	1680
18.290		1200	100	Base	4 x 650x1000	4 x 2.5T SwiftLift	2	1960
18.295		300	100	Riser	none	4 x 2.5T SwiftLift	1	440
18.296		450	100	Riser	none	4 x 2.5T SwiftLift	1	710
18.297		600	100	Riser	none	4 x 2.5T SwiftLift	2	900
18.298		900	100	Riser	none	4 x 2.5T SwiftLift	3	1415
18.299		1200	100	Riser	none	4 x 2.5T SwiftLift	4	1780

\* All pits and risers include a taper to the internal walls.

\*\* Alternative approved lifting methods are also suitable for safe handling and transport. Our product lifting guidelines can be [accessed here](#).

Related Product Groups:

<b>Special / Made-to-Order Stormwater Pits</b>	<b>Flat Stormwater Grates – Raw &amp; Encased</b>	<b>Ductile Iron Access Covers – Raw &amp; Encased</b>
<b>Solid Wall Pits</b>	<b>GridLite Evo Lightweight Access Covers</b>	<b>Precast Concrete Access Covers</b>
	<b>Ready Replacement Covers</b>	