



Product Description & Applications:

The term tradewaste refers to all liquid waste that is discharged into the sewerage system from commercial, industrial or trade activities.

SVC offers a range of precast concrete trade waste pits, risers and covers to treat and manage wastewater from commercial and industrial applications:

- Grease interceptor traps, separating grease, oils and solids from wastewater;
- Petrol and oil interceptors, which slow the flow of wastewater and separate liquid and solid contaminants;
- Cooling and straining pits, filtering out lint and other materials as well as cooling down the wastewater in a holding tank;
- Silt pits, filtering out debris and silt from wastewater.

Compliance:

SVC trade waste items are manufactured in compliance with the design requirements of the relevant water authorities (*i.e. Melbourne Water*).

Item Availability:

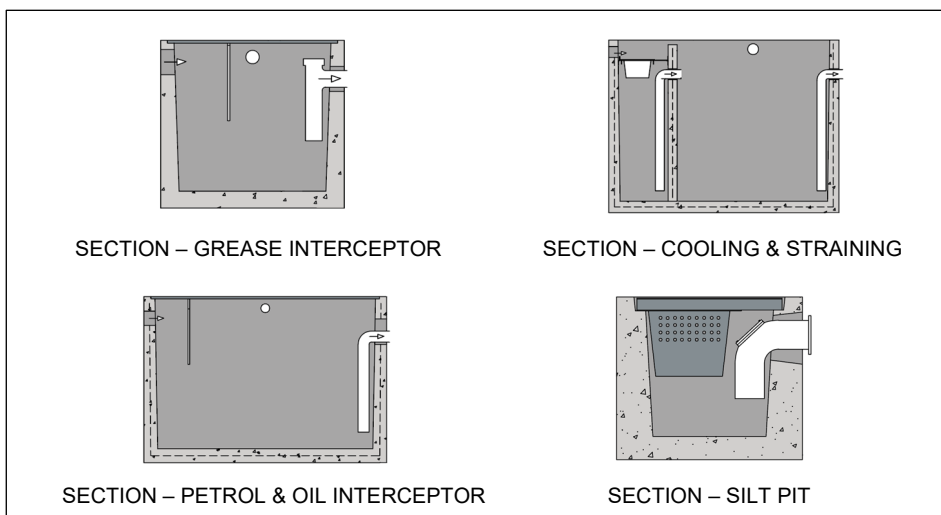
Stocked product – readily available

Product Specifications

- Material composition: **Precast concrete**
- Compressive strength: **40MPa**
- Design life: **50 years**

Applicable Standards

- N/A

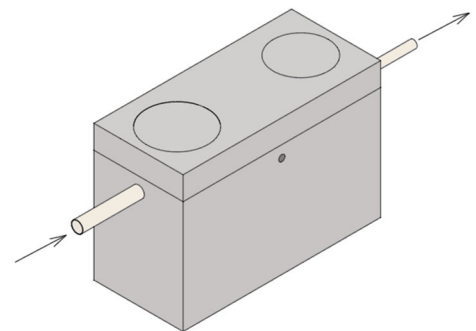


Trade Waste Pits

Type	Code	Capacity	Nominal Internal Dims (mm)	Outlet Height (mm)	External Dims L x W x H (mm)	Weight	Lifting Points	Available Covers
Grease Interceptor Trap (GIT)	07.075	650L	1500 x 900	490	1710 x 1060 x 970	1700 kg	4 x 2.5t SwiftLift anchors	07.100 Class B 07.102 Class D
Grease Interceptor Trap (GIT)	07.080	1100L	1500 x 900	900	1710 x 1060 x 1320	2100 kg	4 x 2.5t SwiftLift anchors	07.100 Class B 07.102 Class D
Grease Interceptor Trap (GIT)	07.500	2070L	2300 x 900	955	2550 x 900 x 1450	3800 kg	4 x 5.0t SwiftLift anchors	07.101 Class B 07.103 Class D
Grease Interceptor Trap (GIT)	07.502	2580L	2300 x 900	1205	2550 x 900 x 1700	4300 kg	4 x 5.0t SwiftLift anchors	07.101 Class B 07.103 Class D
Grease Interceptor Trap (GIT)	07.505	3000L	2300 x 900	1405	2550 x 900 x 1900	4250 kg	4 x 5.0t SwiftLift anchors	07.101 Class B 07.103 Class D
Grease Interceptor Trap (GIT)	07.525*	5000L	2300 x 900	2530	2550 x 900 x 3025	3605 kg (base) 3250 kg (riser)	4 x 5.0t SwiftLift anchors	07.101 Class B 07.103 Class D
<i>*supplied in two pieces – pit base and pit riser</i>								
Cooling and Straining	07.501	1100L	2300 x 900	740	2550 x 1150 x 1450	3800 kg	4 x 5.0t SwiftLift anchors	07.101 Class B 07.103 Class D
Cooling and Straining	07.511	1500L	2300 x 900	1050	2550 x 1150 x 1700	4615 kg	4 x 5.0t SwiftLift anchors	07.101 Class B 07.103 Class D
Cooling and Straining	07.510	2300L	2300 x 900	1340	2550 x 1150 x 1900	4665 kg	4 x 5.0t SwiftLift anchors	07.101 Class B 07.103 Class D
Petrol and Oil	07.513	1100L	2000 x 600	960	2200 x 800 x 1495	2520 kg	4 x 2.5t SwiftLift anchors	07.104 Class B 07.105 Class D
Petrol and Oil	07.512	2070L	2300 x 900	950	2550 x 900 x 1700	3965 kg	4 x 5.0t SwiftLift anchors	07.101 Class B 07.103 Class D
Petrol and Oil	07.515	2500L	2300 x 900	1230	2550 x 900 x 1900	4250 kg	4 x 5.0t SwiftLift anchors	07.101 Class B 07.103 Class D
Petrol and Oil	07.514	3000L	2300 x 900	1325	2550 x 900 x 1900	4250 kg	4 x 5.0t SwiftLift anchors	07.101 Class B 07.103 Class D
Silt	07.090	n/a	440 x 320	300	640 x 515 x 560	400 kg	2 x 2.5t SwiftLift anchors	n/a

Trade Waste Pit Risers

Code	Nominal Internal Dims L x W (mm)	External Dims L x W x H (mm)	Weight	Lifting Points
07.084	1500 x 900	1710 x 1060 x 300	390 kg	4 x 2.5t SwiftLift anchors
07.082	1500 x 900	1710 x 1060 x 600	750 kg	4 x 2.5t SwiftLift anchors
07.083	1500 x 900	1710 x 1060 x 900	1000 kg	4 x 2.5t SwiftLift anchors
07.520	2300 x 900	2550 x 1150 x 300	650 kg	4 x 5.0t SwiftLift anchors
07.521	2300 x 900	2550 x 1150 x 600	1250 kg	4 x 5.0t SwiftLift anchors
07.522	2300 x 900	2550 x 1150 x 900	1850 kg	4 x 5.0t SwiftLift anchors



Trade Waste Pit Covers

Code	Nominal Internal Dims L x W (mm)	Insert Detail	External Dims L x W x D (mm)	Weight	Lifting Points
07.100	1500 x 900	2 x 26.AC60B Cast Iron	1710 x 1150 x 150	580 kg	4 x 2.5t SwiftLift anchors
07.102	1500 x 900	2 x 26.AC60D Cast Iron	1810 x 1150 x 300	1350 kg	4 x 2.5t SwiftLift anchors
07.104	2000 x 600	2 x 26.AC60B Cast Iron	2250 x 1000 x 150	750 kg	4 x 2.5t SwiftLift anchors
07.105	2000 x 600	2 x 26.AC60D Cast Iron	2250 x 1000 x 245	1300 kg	4 x 2.5t SwiftLift anchors
07.101	2300 x 900	2 x 26.AC60B Cast Iron	2550 x 1150 x 150	890 kg	4 x 5.0t SwiftLift anchors
07.103	2300 x 900	2 x 26.AC60D Cast Iron	2650 x 1150 x 300	2060 kg	4 x 5.0t SwiftLift anchors