

ENDWALLS

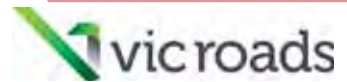
Driveable endwalls and wingwalls excel in strength and durability.

- Manufactured in compliance with VicRoads' standard drawing: SD1991A (TYPE 1)
- Stock units are available to suit the following pipe sizes: 225mm, 300mm & 375mm diameter
- Larger custom sizes are also available and are manufactured to order
- Internal swift lift lifting point locations allow for easy on-site handling & installation

PRODUCT CODE	PRODUCT DESCRIPTION	WEIGHT
ENDR225D	END WALL DRIVEABLE 225DIA	1060 kg
ENDR300D	END WALL DRIVEABLE 300DIA	1060 kg
ENDR375D	END WALL DRIVEABLE 375DIA	1060 kg
ENWW225D	END WALL WINGWALL 225DIA	400 kg
ENWW300D	END WALL WINGWALL 300DIA	400 kg
ENWW375D	END WALL WINGWALL 375DIA	400 kg
ENWWSA100D	END WALL WINGWALL SUBSOIL APRON 100DIA	50 kg

AVAILABLE IN CUSTOM DIMENSIONS

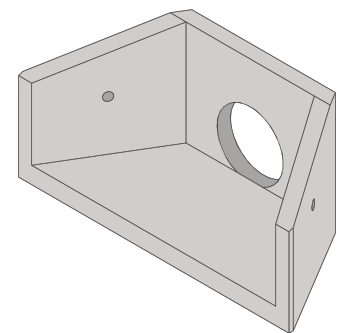
SPECIFIED TO VICROADS



ENWWSA100D



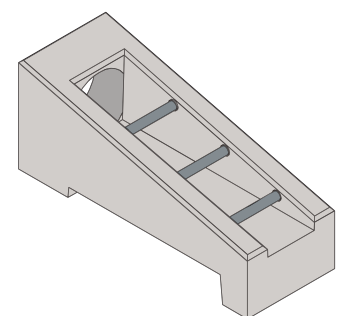
Wingwalls act as retaining walls and allow pipes to be passed through.



ENWW225D



Driveable endwalls provide extra protection from accidental vehicular impact.



ENDR225D

COMPLEMENTARY PRODUCTS



PIPES