

STORMWATER, ELECTRICAL & COMMUNICATIONS PITS

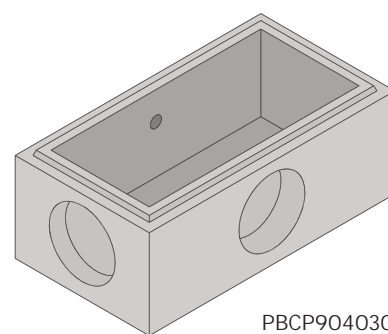
Concrete pits are used for stormwater collection, electrical and communications cabling and transformer substations.

- Standard pit sizes are readily available in stock
- All pits are compliant with the AS/NZS Plumbing & Drainage Code
- Fully customised pits are available to order, supplied with holes positioned as needed
- Custom VicRoads pits designed to suit VicRoads specifications are available
- Custom rail pits compliant with the 300LA railway load requirements are available

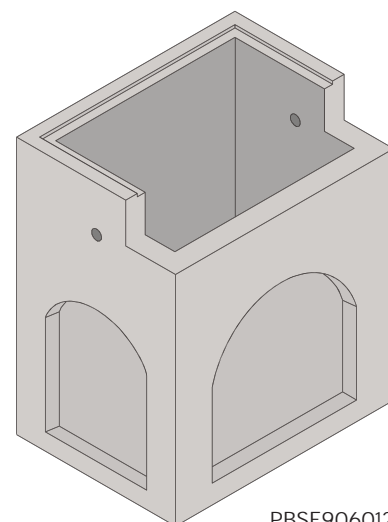
PIT BASES

PRODUCT CODE	PRODUCT DESCRIPTION (L x W x H in mm)	WEIGHT
PB454545	PIT BASE 450x450x450	280 kg
PB454560	PIT BASE 450x450x600	340 kg
PB454590	PIT BASE 450x450x900	470 kg
PB606045	PIT BASE 600x600x450	350 kg
PB606060	PIT BASE 600x600x600	430 kg
PB606090	PIT BASE 600x600x900	560 kg
PB606012	PIT BASE 600x600x1200	755 kg
PB906060	PIT BASE 900x600x600	600 kg
PB906090	PIT BASE 900x600x900	690 kg
PB906012	PIT BASE 900x600x1200	970 kg
PB909060	PIT BASE 900x900x600	1080 kg
PB909090	PIT BASE 900x900x900	1450 kg
PB909012	PIT BASE 900x900x1200	1800 kg
PB129090	PIT BASE 1200x900x900	1780 kg
PB129012	PIT BASE 1200x900x1200	2200 kg
PB121290	PIT BASE 1200x1200x900	2075 kg
PB121212	PIT BASE 1200x1200x1200	2550 kg
PBCP904030	PIT BASE CATCH PIT 900x400x300	330 kg
PBJP303030	PIT BASE JUNCTION PIT 300x300x300	50 kg
PBJP303030S	PIT BASE JUNCTION PIT 300x300x300 SILT	50 kg
PBJP404040	PIT BASE JUNCTION PIT 400x400x400	80 kg
PBSE906060	PIT BASE SIDE ENTRY 900x600x600	490 kg
PBSE906090	PIT BASE SIDE ENTRY 900x600x900	650 kg
PBSE906012	PIT BASE SIDE ENTRY 900x600x1200	900 kg

AVAILABLE IN CUSTOM DIMENSIONS



PBCP904030
Catch pits are used in conjunction with kerb grates



PBSE906012



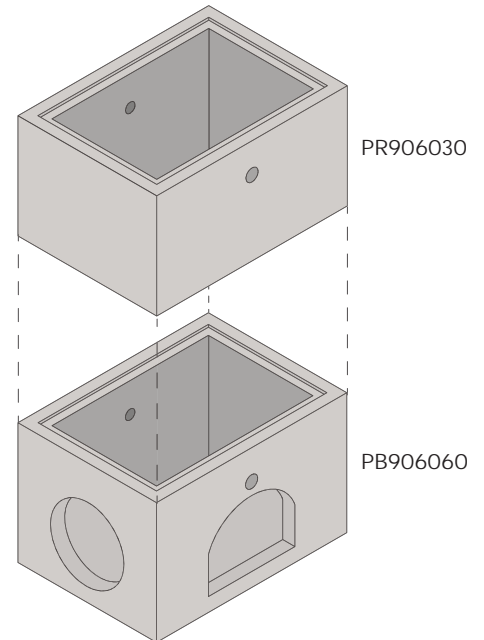
Bespoke pits made to order for a project, with varying heights and custom knockout holes

PIT RISERS

- Available in a range of sizes
- Used to extend the height of standard pit bases without the need to place a custom order

PRODUCT CODE	PRODUCT DESCRIPTION (L x W x H in mm)	WEIGHT
PR454530	PIT RISER 450x450x300	145 kg
PR454545	PIT RISER 450x450x450	220 kg
PR454560	PIT RISER 450x450x600	290 kg
PR606030	PIT RISER 600x600x300	160 kg
PR606045	PIT RISER 600x600x450	270 kg
PR606060	PIT RISER 600x600x600	350 kg
PR606090	PIT RISER 600x600x900	530 kg
PR606012	PIT RISER 600x600x1200	730 kg
PR906030	PIT RISER 900x600x300	190 kg
PR906045	PIT RISER 900x600x450	350 kg
PR906060	PIT RISER 900x600x600	415 kg
PR906090	PIT RISER 900x600x900	675 kg
PR906012	PIT RISER 900x600x1200	925 kg
PR909030	PIT RISER 900x900x300	280 kg
PR909045	PIT RISER 900x900x450	520 kg
PR909060	PIT RISER 900x900x600	585 kg
PR909090	PIT RISER 900x900x900	990 kg
PR909012	PIT RISER 900x900x1200	1340 kg
PR129030	PIT RISER 1200x900x300	420 kg
PR129060	PIT RISER 1200x900x600	840 kg
PR121230	PIT RISER 1200x1200x300	475 kg
PR121260	PIT RISER 1200x1200x600	950 kg
PRSE906060	PIT RISER SIDE ENTRY 900x600x600	380 kg
PRSE906090	PIT RISER SIDE ENTRY 900x600x900	585 kg

AVAILABLE IN CUSTOM DIMENSIONS



Example of pit riser suited to match standard pit in order to extend height



Multiple pit risers stacked to extend the height of a standard pit

COMPLEMENTARY PRODUCTS



ACCESS COVERS



GRATES

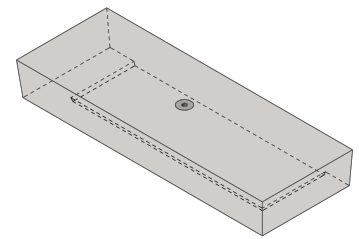


KERB LINTELS

PIT SLABS

Back slabs and haunch slabs are used when a large pit base is joined to a smaller pit riser. The pit slab covers the section of the pit base that would otherwise be exposed.

PRODUCT CODE	PRODUCT DESCRIPTION	WEIGHT
PSB9090-9060	PIT SLAB BACK 900x900 TO 900x600	180 kg
PSH9090-9060	PIT SLAB HAUNCH 900x900 TO 900x600	140 kg



PSH9090-9060

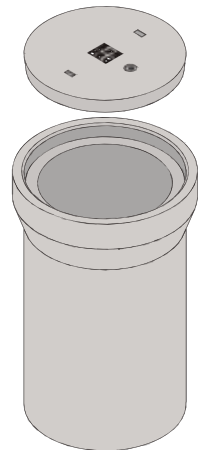
VICROADS PITS

VicRoads pits are required to be manufactured to specific sizes. SVC frequently produces custom pits to suit these requirements.

LENGTH	WIDTH	HEIGHT
750mm	750mm	CUSTOM
1000mm	750mm	CUSTOM
1000mm	1000mm	CUSTOM

PRODUCT CODE	PRODUCT DESCRIPTION	WEIGHT
PBCVRS1	PIT BASE & COVER SET VICROADS S1 SUBSURFACE	510 kg
CAVRBO	VICROADS BATTER OUTLET	353 kg

SPECIFIED TO VICROADS



PBCVRS1

VicRoads S1 subsurface concrete pit and pit cover set

COMPLEMENTARY PRODUCTS



ACCESS COVERS



FLAT GRATES



KERB LINTELS



SUBSOIL APRON



Plentiful supplies of standard pits are routinely stocked.